

Operating manual

Model : PW-200

610-0006



ACOM

V-m0151

Preface

Acom Inc. would like to thank you for purchasing ACOM product model name PW-200 simple weighing scale. We are committed to create the high quality and low maintenance required products to supply ACOM customers with diligent customer services.

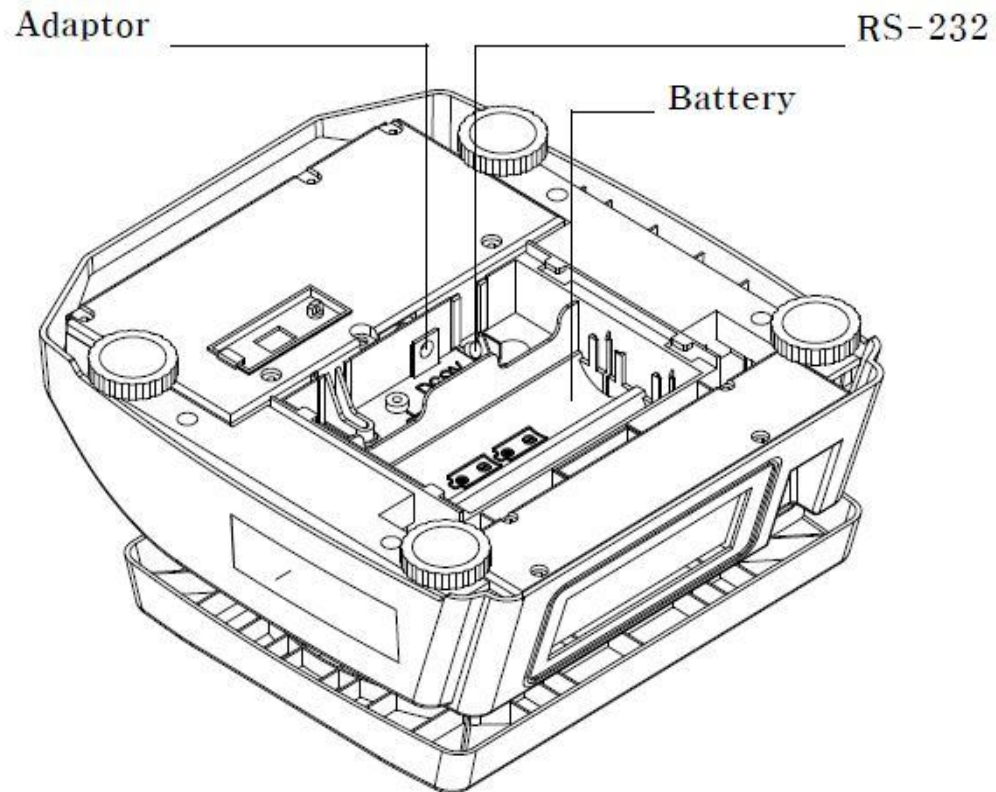
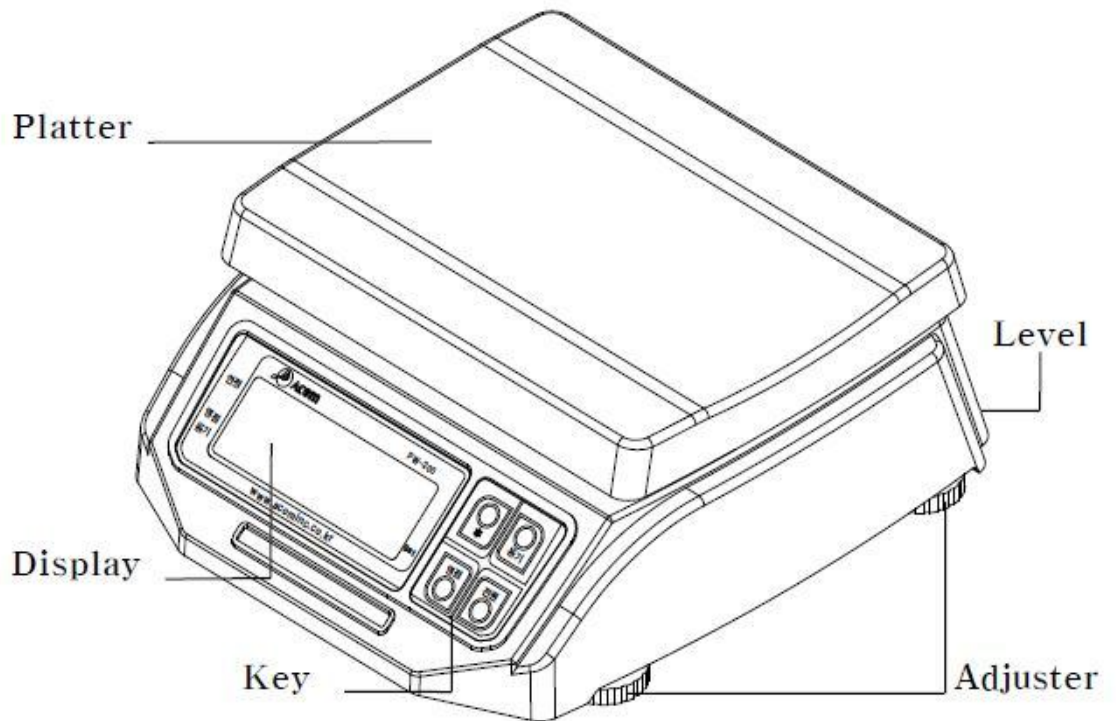
Specification

Model name	PW-200			
Maximum capacity	1.5/3kg	3/6kg	6/15kg	15/30kg
Minimum graduation	0.5/1g	1/2g	2/5g	5/10g
Maximum tare weight	3kg	6kg	15kg	30kg
A/D conversion speed	12 Updates / SEC			
Internal resolution	1 / 60,000			
Display type	LCD display (Option:Backlight, Rear display)			
Power source	D size battery 1.5V X 4EA(6V) or DC Adaptor(Option)			
Communication	RS232C optional			
Power consumption	Approximately 0.09 Watts			
Weighing pan size (mm)	(W)234 X (D)180			
Stainless steel weighing pan(mm)	(W)300 X (D)265 (Option)			
Product size(mm)	(W)245 X (D)276 X (H)110			
Product weight	2.5kg			

Installation and precaution

- ※ PLACE THE SCALE ON THE FLAT AND RIGID SITE WHERE FREE OF VIBRATIONS.
- ※ PLEASE AVOID THE RADIO DEVICES WHICH EMITS STRONG ELECTROMAGNETIC FIELDS NEAR BY TO INSTALL.
 - ※ DO NOT APPLY SUDDEN IMPACT ONTO THE WEIGHING PAN
 - ※ DO NOT SPILL THE WATER TO THE SCALE.
 - ※ DO NOT USE CLEANERS INCLUDE SOLVENT OR SINNER.
 - ※ THIS PRODUCT HAVE TO GET THE PERIODIC INSPECTION OBLIGATORILY, PLEASE MAKE A PROOFREADING PERIODICALLY.

Name for each parts



Key & Function



Power : ON/OFF



* / HOLD : You can use this key to measure the un-fixed thing or unstable object
※ Also * key can be used for transmit the weight data from scale to another device when scale is in RS232 communication mode



This key can be used to set the tare or delete the tare
*Tare = A container



This key can be used to re-correct the weight to zero
*Tare = A container

The designators

Designators	Meaning
ZERO	It indicates the weight is ZERO
STABLE	It indicates the weight is stable
TARE	It indicates the tare weight has settled
Batt	It indicates when the battery need to be changed

How to use

1. General weighing

Please check the designators that "ZERO" and "STABLE" signs are on Before weighing something

- Put the goods on the weighing pan
- Read the correct value after the "STABLE" sign turned on
- Put the goods away from the weighing pan

2. Weighing with TARE function

- Place the tare on the weighing pan
- If you press "TARE" key, then weight will be "0" and the sign for TARE will be turned on
- Put the goods on the tare(A container)
- Read the correct value after the "STABLE" sign turned on
- Put the tare and goods away from the weighing pan
- If you do not want to use the tare then press "TARE" key then the sign of tare will be turned off
Or you can continue to weighing with same tare

3. Weighing with HOLD function

This function helps you to weighing the un-fixed thing or unstable object.

- Put the thing or things on the weighing pan
- Press the HOLD key
- Put the thing or things away from the weighing pan

4. Error table

ERROR	Meaning	Solution	
Zero	Zero initializing failure	Remove the weight on the weighing pan then restart the scale	Otherwise, call the service
EEP	Memory IC error of the circuit	Call the service	
AdC	Analogue circuit error	Call the service	
PArA	Memory loading failure	Call the service	

User parameter (Distributors & dealers only)

*Skip the procedures how to enter UP setting

1. Start up

	Value	Function explanation
UP-1	1X	Enter weighing mode after showing battery voltage
	0X	Enter weighing mode after count down & showing battery voltage
	3X	Enter weighing mode directly

2. Backlight

	Value	Function explanation
UP-2	00	Not used
	10	Back light on all status within 5 sec(default)
	20	Back light on positive and minus
	30	Always on

3. RS232C

	Value	Function explanation
UP-3	21	Hand shake mode, Baudrate : 9600 bps (default setting)
	20	Hand shake mode, Baudrate : 19200 bps
	01	Stream mode at stable, Baudrate : 9600 bps
	00	Stream mode at stable, Baudrate : 19200 bps
	11	Stream mode at every A/D conversion, Baudrate : 9600 bps
	10	Stream mode at every A/D conversion, Baudrate : 19200 bps

4. ECR selection

	Value	Function explanation
UP-4	00	Not used
	X1	NCI general
	X2	NCI ECR
	X3	Tolodo 8231
	1X	Stream mode
	2X	Handshake mode

5. Off time function

You can select the auto power cut off period when scale is in no use

0 = Default (no use)

?? = ?? Seconds

The maximum second is 180(3minutes)

ACOM

ACOM Inc.

679-1 Yugyo-Ri, Gunnae-Myeon, Pocheon-Si, GyeongGi-Do, Korea.

Zip Code 487-875

Tel +82 31 531 2205 Fax +82 31 531 9199

<http://www.acominc.co.kr>

Copyright 2014. All rights reserved.